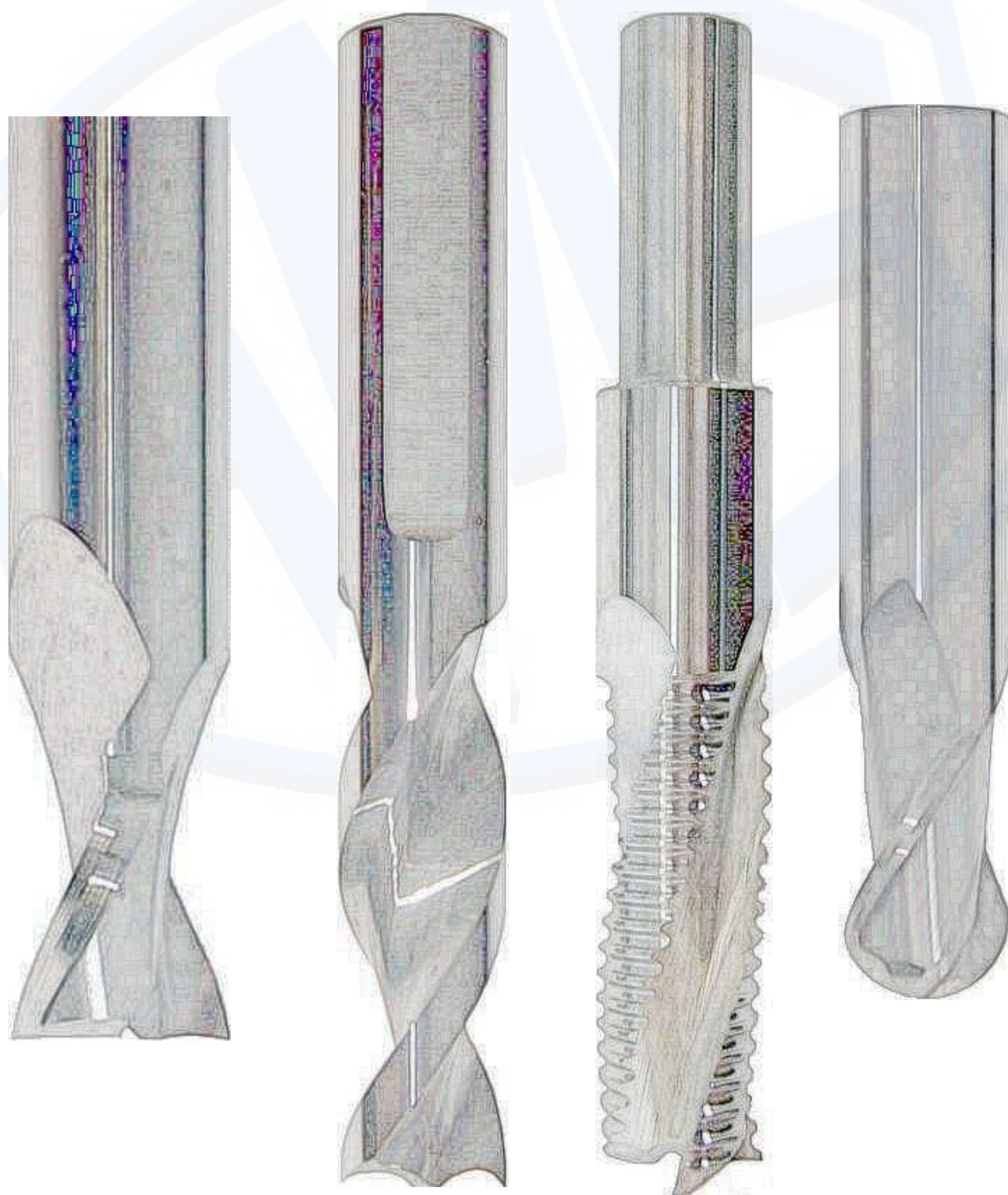




# *PUNTE E FRESE IN METALLO DURO*

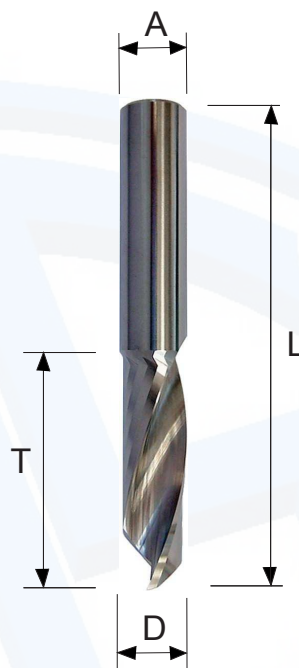




# ART. P101 Z1 HM

Frese eliciodali integrali. Rotazione destra, elica positiva o negativa.  
 Solid-carbide spiral milling cutters. Positive or negative screw, right-hand rotation.

CODICE	D-A mm	T mm	L mm
P10103012	3	12	50
P10104012	4	12	50
P10105017	5	17	50
P10106022	6	22	60
P10106027	6	27	70
P10108022	8	22	60
P10108032	8	32	80
P10108042	8	42	90
P10110032	10	32	80
P10110042	10	42	90
P10110052	10	51	100
P10112032	12	32	80
P10112042	12	42	90
P10112052	12	52	100
P10114032	14	31	80
P10114052	14	52	100
P10116042	16	42	90
P10116072	16	72	120



# ART. P102 Z1 HM

Frese eliciodali integrali. Rotazione destra, elica positiva e negativa.  
 Solid-carbide spiral milling cutters. Positive and negative screw, right-hand rotation

CODICE	D-A mm	T mm	L mm
P10208032	8	32	80
P10210032	10	32	80
P10212042	12	42	90
P10214042	14	42	90
P10216052	16	52	100



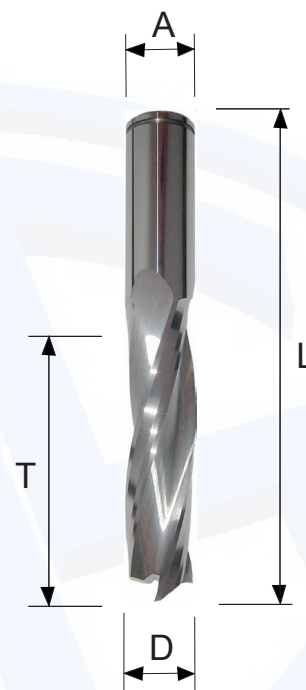
Positiva + Negativa  
 Positive + Negative



# ART. P103 Z3 HM

Frese eliciodali integrali. Rotazione destra, elica positiva o negativa.  
 Solid-carbide spiral milling cutters. Positive or negative screw, right-hand rotation.

CODICE	D-A mm	T mm	L mm
P10308022	8	22	70
P10308032	8	32	80
P10308042	8	42	90
P10310032	10	32	80
P10310042	10	42	90
P10310052	10	52	100
P10312032	12	32	80
P10312042	12	42	90
P10312052	12	52	100
P10314032	14	32	80
P10314042	14	42	90
P10314052	14	52	100
P10316042	16	42	90
P10316052	16	52	100
P10316062	16	62	110
P10316072	16	72	120
P10316082	16	82	140
P10318052	18	52	100
P10318072	18	72	120
P10318102	18	102	150
P10320052	20	52	100
P10320062	20	62	110
P10320072	20	72	120
P10320102	20	102	150
P10320130	20	130	180
P10320150	20	150	200
P10325102	25	102	160
P10325130	25	130	190
P10325150	25	150	215



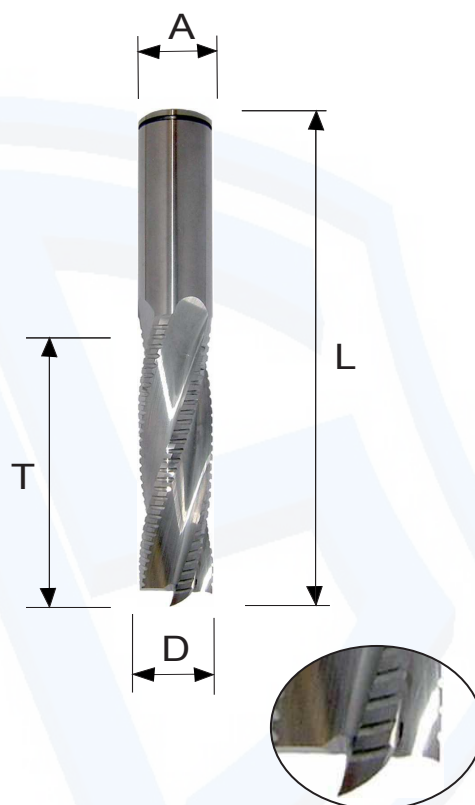
PER FINITURA  
 FOR FINISHING



# ART. P104 Z3 HM

Frese eliciodali integrali. Rotazione destra, elica positiva o negativa.  
 Solid-carbide spiral milling cutters. Positive or negative screw, right-hand rotation.

CODICE	D-A mm	T mm	L mm
P10408022	8	22	70
P10408032	8	32	80
P10408042	8	42	90
P10410032	10	32	80
P10410042	10	42	90
P10410052	10	52	100
P10412032	12	32	80
P10412042	12	42	90
P10412052	12	52	100
P10414032	14	32	80
P10414042	14	42	90
P10414052	14	52	100
P10416042	16	42	90
P10416052	16	52	100
P10416062	16	62	110
P10416072	16	72	120
P10418052	18	52	100
P10418072	18	72	120
P10418102	18	102	150
P10420052	20	52	100
P10420062	20	62	110
P10420072	20	72	120
P10420102	20	102	150
P10420130	20	130	180
P10420150	20	150	200
P10425102	25	102	160
P10425130	25	130	190
P10425150	25	150	215



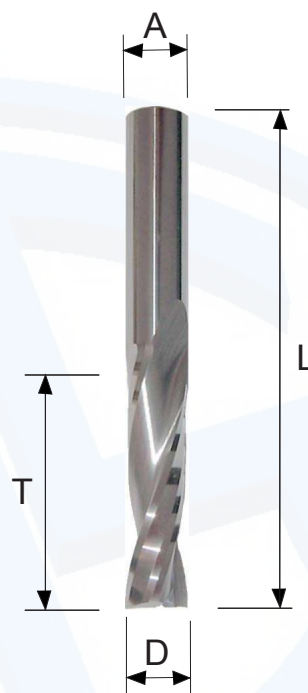
PER SGROSSATURA  
 FOR ROUGH-HEWING



# ART. P105 Z2 HM

Frese eliciodali integrali. Rotazione destra, elica positiva o negativa.  
 Solid-carbide spiral milling cutters. Positive or negative screw, right-hand rotation.

CODICE	D-A mm	T mm	L mm
P10503012	3	12	50
P10504012	4	12	50
P10505017	5	17	50
P10506022	6	22	60
P10506027	5	27	70
P10508022	8	22	60
P10508032	8	32	80
P105P8042	8	42	90
P10510032	10	32	80
P10510042	10	42	90
P10510052	10	52	100
P10512032	12	32	80
P10512042	12	42	90
P10512052	12	52	100
P10514032	14	32	80
P10514052	14	52	100
P10516042	16	42	90
P10516072	16	72	120

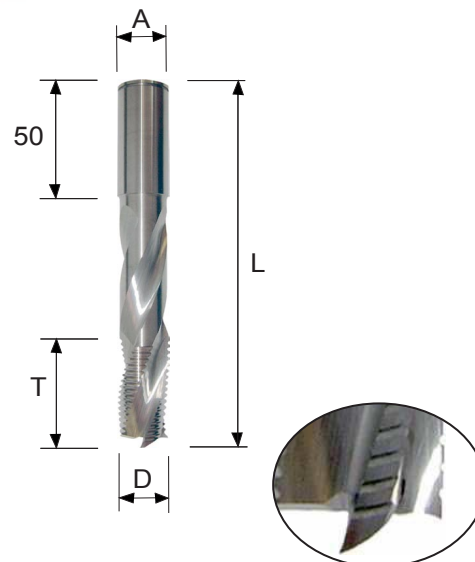


# ART. P106 Z3 HM

Frese eliciodali integrali per cava serratura.  
 Solid-carbide spiral milling cutters for lock slots.

Con rompitrucciolo  
 With chip breaker

CODICE	D-A mm	T mm	L mm
P1061213R	12	40	130
P1061415R	14	40	150
P1061615R	16	40	150
Codice tagliente liscio			
P1061213L	12	40	130
P1061415L	14	40	150
P1061615L	16	40	150



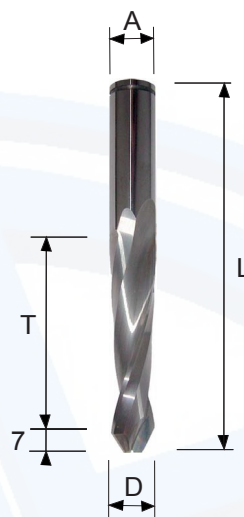




# ART. P107 Z2 HM

Frese eliciodali integrali per forare e sfinestrare porte  
 Solid-carbide spiral milling cutters for boring and slotting doors

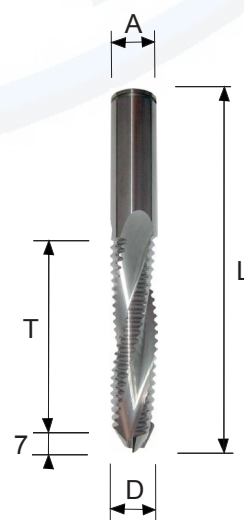
CODICE	D-A mm	T mm	L mm
P10712058L	12	58	110
P10714058L	14	58	110
P10714072L	14	72	130
P10716058L	16	58	110
P10716072L	16	72	130



# ART. P108 Z3 HM

Frese eliciodali integrali per forare e sfinestrare porte  
 Solid-carbide spiral milling cutters for boring and slotting doors

CODICE	D-A mm	T mm	L mm
P10812058R	12	58	110
P10814058R	14	58	110
P10814072R	14	72	130
P10816058R	16	58	110
P10816072R	16	72	130

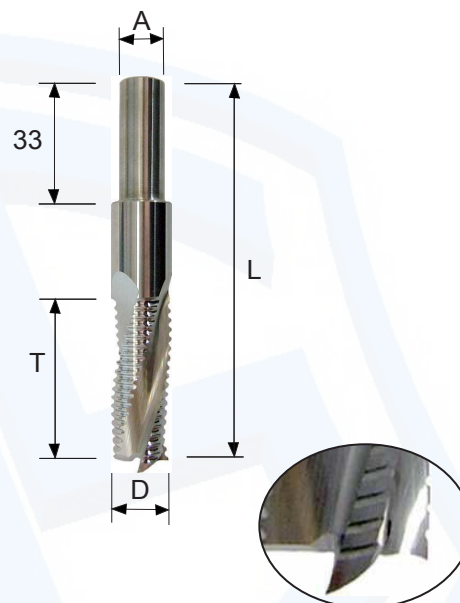




# ART. P109 Z3 HM

Frese eliciodali integrali. Rotazione destra, elica positiva per pantografi manuali. Lavorazione sede ferramenta a carpenteria  
 Solid-carbide spiral milling cutters. Positive screw and right-hand rotation for pantographs, manual machining of seats for fittings carpentry

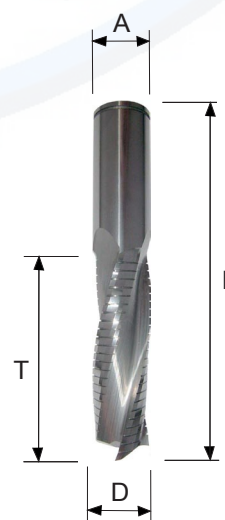
CODICE	D mm	A mm	T mm	L mm
P10916032	16	12	32	100
P10916045	16	12	45	100
P10920045	20	12	45	100



# ART. P110 Z3 HM

Frese eliciodali integrali. Rotazione destra, elica positiva o negativa.  
 Solid-carbide spiral milling cutters. Positive or negative screw, right-hand rotation.

CODICE	D-A mm	T mm	L mm
P11016052	16	52	110
P11016062	16	62	110
P11016075	16	75	110
P11020052	20	52	100
P11020062	20	62	110
P11020075	20	75	130
P11020102	20	102	150
P11020130	20	130	180

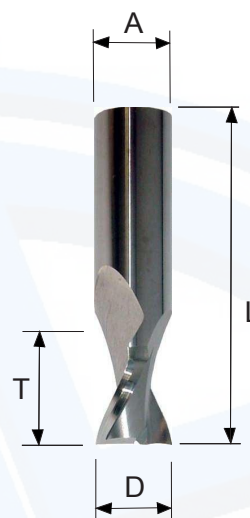
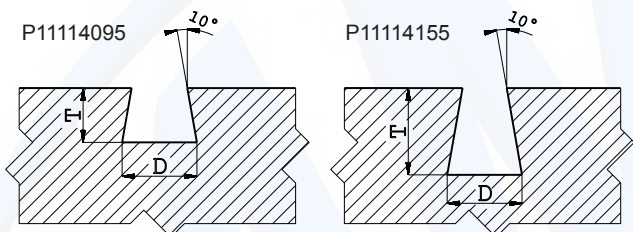




# ART. P111 Z2 HM

Frese eliciodali integrali. Rotazione destra, elica positiva.  
 Solid-carbide spiral milling cutters. Positive screw and right-hand rotation.

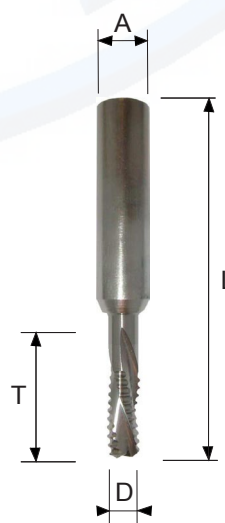
CODICE	D mm	A mm	T mm	L mm
P11114095	13,8	14	9,5	60
P11114155	13,8	14	15,5	60



# ART. P112 Z3 HM

Frese eliciodali integrali per mortasare  
 Solid-carbide spiral milling cutters for mortising

CODICE	D mm	A mm	T mm	L mm
P11208025	8	16	25	110
P11209025	9	16	25	110
P11210025	10	16	25	110
P11211025	11	16	25	110
P11212025	12	16	25	110



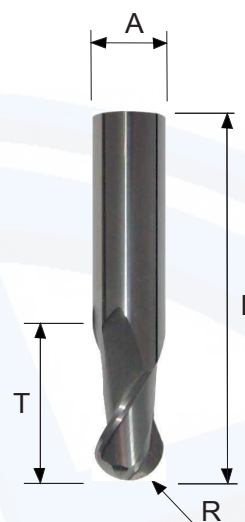




# ART. P113                      Z2                      HM

Frese eliciodali integrali. Rotazione destra, elica positiva o negativa.  
 Solid-carbide spiral milling cutters. Positive or negative screw, right-hand rotation.

CODICE	R mm	A mm	T mm	L mm
P11304010	2	4	10	70
P11305012	2,5	5	12	70
P11306014	3	6	14	80
P11308016	4	8	16	80
P11310020	5	10	20	80
P113120024	6	12	24	90
P11316028	8	16	28	90
P11320032	10	20	32	100



# ART. P114                      Z2                      HM

Frese HM integrali, sagomate a disegno. Preventivo su richiesta.  
 Solid-carbide milling cutters, made on your design. Ask for an estimate.

CODICE	R mm	A mm	T mm	L mm



# ART. P115 Z2 HM

Punte eliciodali integrali per "anuba", rotazione destra.  
 Solid-carbide drills for "anuba", right-hand rotation.

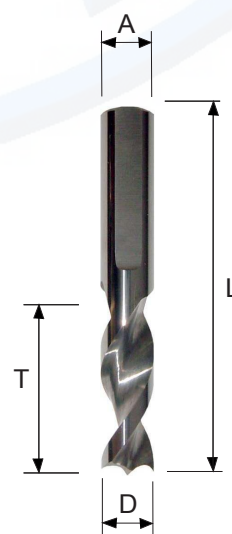
CODICE	TIPO ANUBA	A mm	L mm
P11513080	D 13	10	80
P11514080	D 14	10	80
P11516080	D 16	10	80



# ART. P116 Z2 HM

Punte eliciodali integrali. Rotazione destra per foratrici Ma.fell  
 Solid-carbide drills. Right-hand rotation. They are for Mafell boring machines

CODICE	D mm	A mm	T mm	L mm
P11605025	5	8	25	55,5
P11606025	6	8	25	55,5
P11608025	8	8	25	55,5
P11610025	10	8	25	55,5
P11612025	12	8	25	55,5



**“NO FIRE”**  
**“NON BRUCIANO”**  
**“THEY DO NOT BURN”**